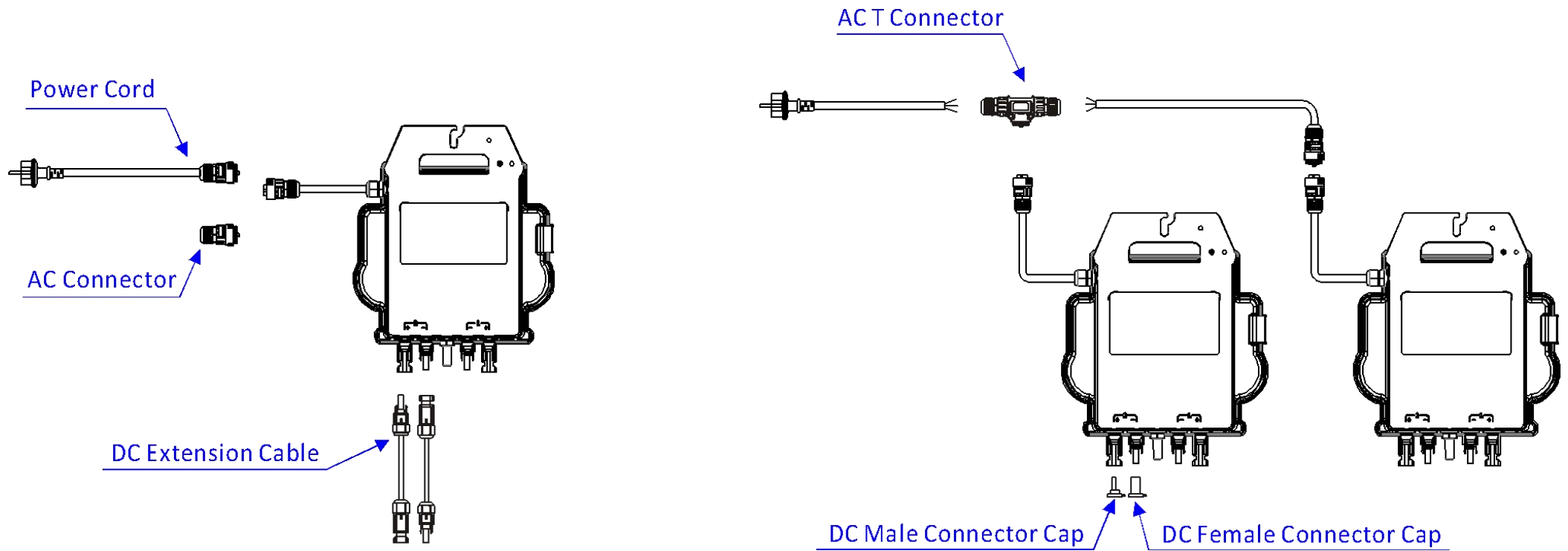


EZ1 Series Accessories

1. Wiring Diagram



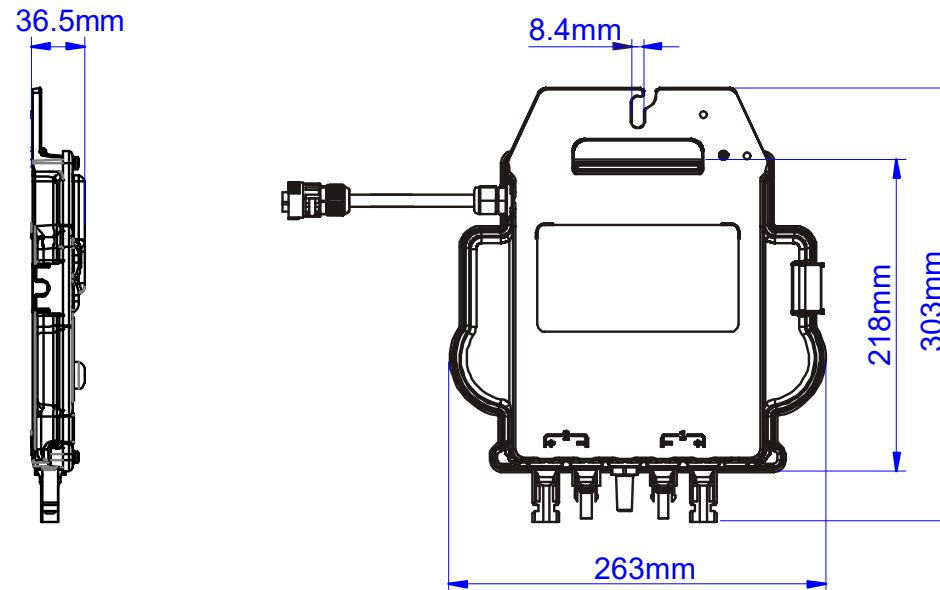
APsystems

APsystems EMEA

22 Avenue Lionel Terray, 69330 Jonage, France

emea.APsystems.com

2. EZ1 Dimensions



3. Accessories Summary

Region	Accessories					
	Power Cord (Optional)	AC Connector (Female) (Optional)	AC T Connector (Optional)	DC Male Connector Cap (Optional)	DC Female Connector Cap (Optional)	DC Extension Cable (Optional)
Europe -S-EU (133018) -M-EU (132018)	2337011133_EZ1 EU Power Cord(1.5mm ² ,5m) (See Pic. A)	2301132002_AC Connector(3C,17.5A,Female) (See Pic. B)	2301232002_AC T Connector(3C,17.5A) (See Pic. C)	2060401006_DC Male Connector Cap (MC4) (See Pic. D)	2060402006_DC Female Connector Cap (MC4) (See Pic. E)	2310360214_2m DC Extension Cable (MC4) (See Pic. F)







APsystems

APsystems EMEA

22 Avenue Lionel Terray, 69330 Jonage, France

emea.APsystems.com

4. Physical Picture

Power Cord	AC Connector	AC T Connector	DC Male Connector Cap	DC Female Connector Cap	DC Extension Cable
 <p data-bbox="215 683 282 703">Pic. A</p>	 <p data-bbox="566 683 633 703">Pic. B</p>	 <p data-bbox="920 683 987 703">Pic. C</p>	 <p data-bbox="1267 683 1335 703">Pic. D</p>	 <p data-bbox="1619 683 1686 703">Pic. E</p>	 <p data-bbox="1966 683 2033 703">Pic. F</p>

5. Accessories information

2337011133_EZ1 EU Power Cord(1.5mm²,5m)

RoHS

CHANGE NO.	CHANGE CONTENTS	REV.	NAME/DATE

WIRE RUN LIST		
WIRE	P1	P2
BROWN	L	L
BLUE	N	N
YELLOW/GREEN	PE	PE

Notes:

- Cable 3G1.5mm² UV resistance
- The cable and connector connect firmly, has no looseness, scratches, crack and other defects;
- Use blank cartons for packaging.

3	Plug			1	Schuko Plug	
2	AC Cable			1	3G1.5mm ² , Brown-Blue-Yellow/Green	
1	AC Connector (Female)	EP030-2224-00		1	17.5A, IP68	

NO.	NAME	TYPE	MAT.	QTY.	DESCRIPTION	REMARK
TOLERANCES UNLESS OTHERWISE SPECIFIED						
电规插件未注线性公差:						
> 0-100	±5	> 2500-3500	±45			
> 100-500	±10	> 3500-4500	±50			
> 500-900	±15	> 4500-5500	±65			
> 900-1300	±25	> 5500-6500	±80			
> 1300-1800	±30	> 6500-8000	±90			
> 1800-2500	±35	> 8000-10000	±100			

NAME
EZ1 EU Power Cord(1.5mm², 5m)

DRAWING NO.

DWN.	UNIT	mm	
CHK.	SHEET	OF	REV. 0.0

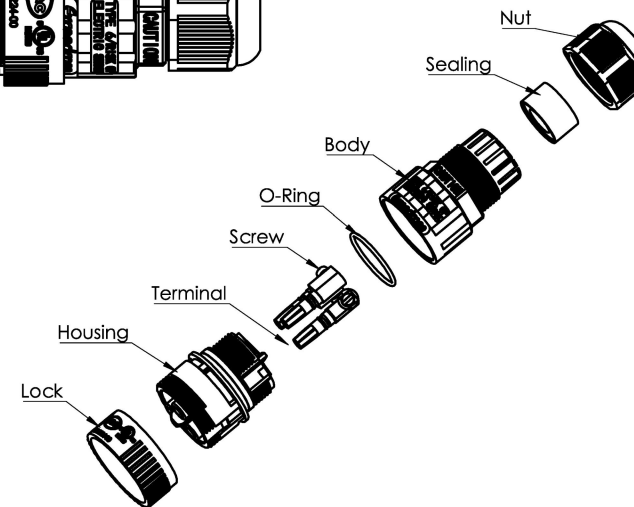
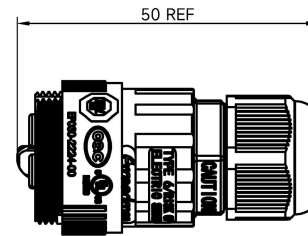
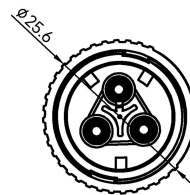
systems
systems EMEA
ge, France

emea.apsystems.com

2301132002_AC Connector(3C,17.5A,Female)

RoHS

CHANGE NO.	CHANGE CONTENTS	REV.	NAME/DATE



Notes:

Electrical

1. Rated Voltage: TUV/CQC 450V AC
UL 600V AC;
2. Rated Impulse Voltage: 2500V;
3. Rated Current: 17.5A;
4. Contact Resistance: ≤10mΩ;
5. Insulation Resistance: ≥500MΩ;

Mechanical:

1. Mating Cycle: ≥500;
2. Cable Retention Force: ≥100N;
3. Sealing Size: φ11.5mm;
4. Cable O.D: 9.5-11.5mm;
5. Wire Size: 1.5mm²;

Environmental:



1. Waterproof Rate: IP68;
2. Application Temperature: -40°C~+85°C;
3. Flaming Level: UL94-V2;

Material:

1. Plastic Material: PA66 and PA66 30%GF;
2. Pin Material: Copper Alloy, Ni Plating;
3. Sealing Material: Silicone Rubber;
4. Screw Material: Fe Alloy, Ni Plating;

Others:

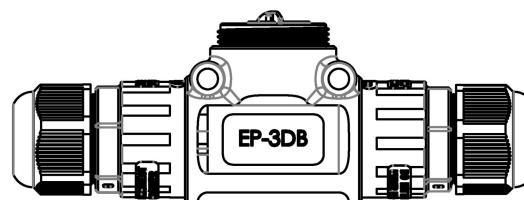
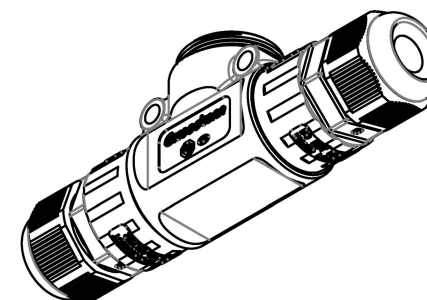
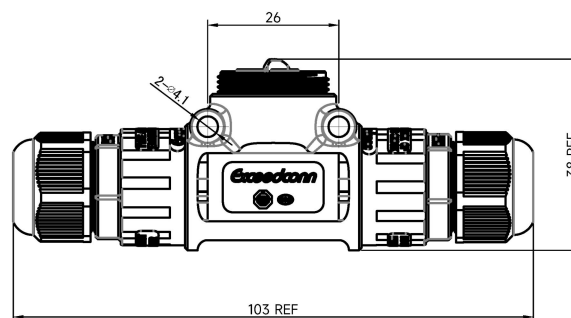
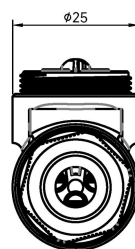
1. Type No.: EP030-2224-00;
2. Packaging: Blank Cartons

TOLERANCES UNLESS OTHERWISE SPECIFIED		MATERIAL	 NAME AC Connector (3C,17.5A,female)
X.: ±0.50	X*: ±3.00°		
X: ±0.30	X*: ±2.00°		
XX: ±0.20	XX*: ±1.00°		
.XXX: ±0.10	.XXX*: ±0.50°		
DWN.	UNIT mm		DRAWING NO.
CHK.	SHEET -- OF --		REV. 0.0

2301232002_AC T Connector(3C,17.5A)

RoHS

CHANGE NO.	CHANGE CONTENTS	REV.	NAME/DATE



Notes:

Electrical

1. Rated Voltage: 250V;
2. Rated Current: 17.5A;
3. Contact Resistance: ≤10mΩ;
4. Insulation Resistance: ≥500MΩ;

Mechanical



1. Mating Cycle: ≥500;
2. Cable Retention Force: ≥100N;
3. Sealing Size: φ11.5mm;
4. Cable O.D: 9.5-11.5mm;
5. Wire Size: 1.5mm²;

Environmental:

1. Waterproof Rate: IP68;
2. Application Temperature: -40°C~+85°C;
3. Flaming Level: UL94-V0;

Others:

1. Type No.: EP-3DB;
2. Packaging: Blank Cartons

TOLERANCES UNLESS OTHERWISE SPECIFIED		MATERIAL		 NAME AC T Connector (3C,17.5A)
X.: ±1.00	X*: ±3.00°			
X: +0.50	.X*: ±2.00°			
.XX: +0.20	.XX*: ±1.00°			
.XXX: ±0.10	.XXX*: ±0.50°			
DWN.	UNIT	m/m		DRAWING NO.
CHK.	SHEET	OF	REV.	0.0

APsystems
 tems EMEA
 ze, France

emea.APsystems.com